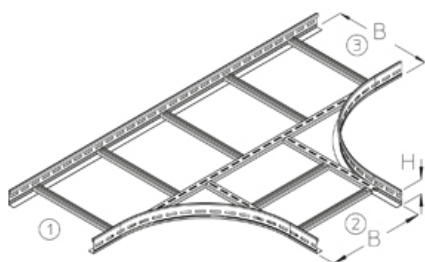


LGA 60

cable ladder branch, height = 60 mm

cable ladder branch, formed component as T-piece

This article is available made in material No. 1.4571/1.4404 (V4A) stainless steel finish.



Hot-dip galvanized, according to BS 729 (DIN EN ISO 1461)

Артикул	Product	height	width	radius	weight
LGA 60-20F	60 mm	200 mm	400 mm	4.69 kg	
LGA 60-30F	60 mm	300 mm	400 mm	5.39 kg	
LGA 60-40F	60 mm	400 mm	400 mm	6.10 kg	
LGA 60-50F	60 mm	500 mm	400 mm	6.80 kg	
LGA 60-60F	60 mm	600 mm	400 mm	7.51 kg	

Stainless steel, according to ASTM 304 / BS 304 S 3

Артикул	Product	height	width	radius	weight
LGA 60-20E	60 mm	200 mm	400 mm	4.41 kg	
LGA 60-30E	60 mm	300 mm	400 mm	5.07 kg	
LGA 60-40E	60 mm	400 mm	400 mm	5.74 kg	
LGA 60-50E	60 mm	500 mm	400 mm	6.40 kg	
LGA 60-60E	60 mm	600 mm	400 mm	7.06 kg	

Product: Product

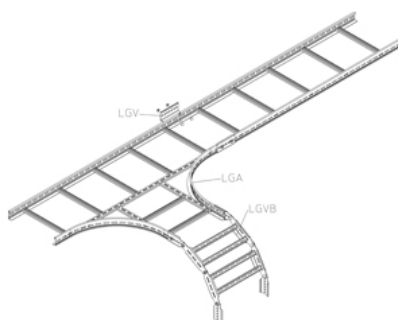
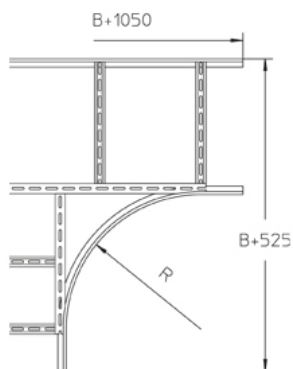
height: height

width: width

radius: radius

weight: weight

DETAILS / APPLICATIONS



ACCESSORIES

LAD, LADR, LGVH 60, LGVV 60, LGV 60, KLU,



UL classified

