

## LGVB 100

cable ladder vertical bend, height = 100 mm

cable ladder vertical bend for flexible vertical change of direction



Hot-dip galvanized, according to BS 729 (DIN EN ISO 1461)

Артикул	Product	height	width	length	weight
LGVB 100-20F	100 mm	200 mm	350 mm	2.96 kg	
LGVB 100-30F	100 mm	300 mm	350 mm	3.26 kg	
LGVB 100-40F	100 mm	400 mm	350 mm	3.55 kg	
LGVB 100-50F	100 mm	500 mm	350 mm	3.85 kg	
LGVB 100-60F	100 mm	600 mm	350 mm	4.14 kg	

Stainless steel, according to ASTM 304 / BS 304 S 3

Артикул	Product	height	width	length	weight
LGVB 100-20E	100 mm	200 mm	350 mm	2.79 kg	
LGVB 100-30E	100 mm	300 mm	350 mm	3.06 kg	
LGVB 100-40E	100 mm	400 mm	350 mm	3.34 kg	
LGVB 100-50E	100 mm	500 mm	350 mm	3.62 kg	
LGVB 100-60E	100 mm	600 mm	350 mm	3.89 kg	

**Product:** Product

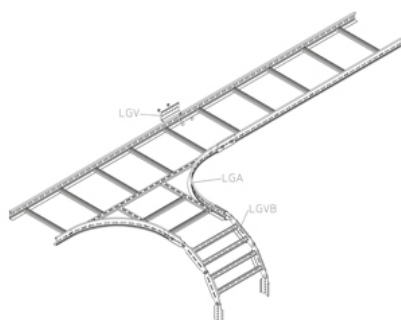
**height:** height

**width:** width

**length:** length

**weight:** weight

## DETAILS / APPLICATIONS



UL classified

