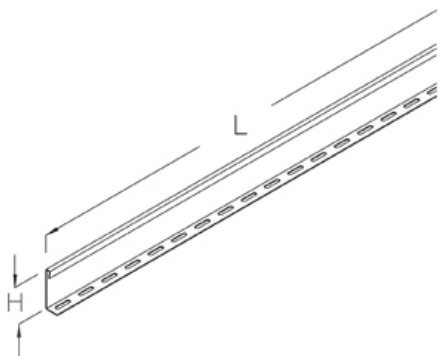


RTR 35

cable tray separating strip, height = 33 mm

cable tray separating strip including fastening bolts



Continuously hot galvanized (Sendzimir process) (DIN EN 10346)

Артикул	Product	height	length	weight	incl.
RTR 35S	33 mm	3000 mm	1.50 kg	show all inclusive accessoires	

Hot-dip galvanized, according to BS 729 (DIN EN ISO 1461)

Артикул	Product	height	length	weight	incl.
RTR 35F	33 mm	3000 mm	1.60 kg	show all inclusive accessoires	

Product: Product

height: height

length: length

weight: weight

incl.: incl.

DETAILS / APPLICATIONS

