

ВКДНК

floor duct cover clamp



Continuously hot galvanized (Sendzimir process) (DIN EN 10346)

Артикул	Product	width	t	weight
ВКДНК S	20 mm	0.70 mm	0.01 kg	

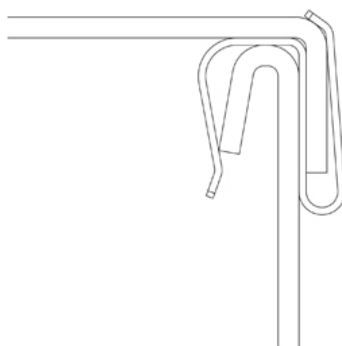
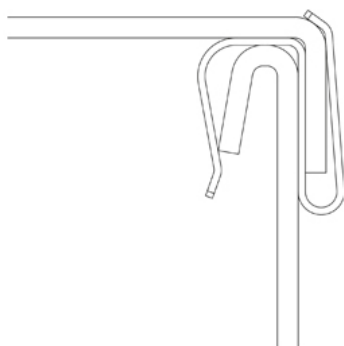
Product: Product

width: width

t: material thickness

weight: weight

DETAILS / APPLICATIONS



ACCESSORIES

ВКДН,

