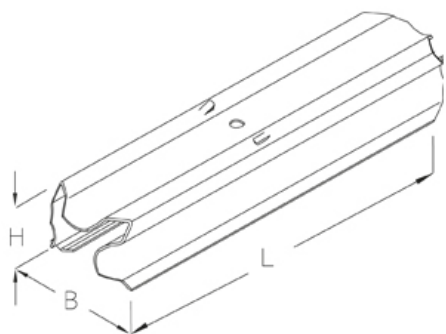


KPV

connector for KPR



Continuously hot galvanized (Sendzimir process) (DIN EN 10346)

Артикул	Product	height	width	length	t	weight
KPV	37 mm	37 mm	300 mm	1.00 mm	0.31 kg	

Product: Product

height: height

width: width

length: length

t: material thickness

weight: weight

DETAILS / APPLICATIONS

