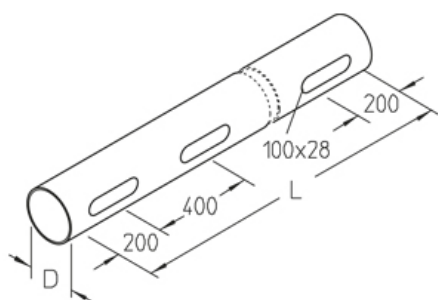


## SRL

protective tube, slotted, length = 6000 mm



Hot-dip galvanized, according to BS 729 (DIN EN ISO 1461)

Артикул	Product	length	diameter	t	weight
SRL 60F	6000 mm	60 mm	2.00 mm	16.30 kg	

Stainless steel, according to ASTM 304 / BS 304 S 3

Артикул	Product	length	diameter	t	weight
SRL 60E	6000 mm	60 mm	2.00 mm	16.30 kg	

**Product:** Product

**length:** length

**diameter:** diameter

**t:** material thickness

**weight:** weight

## DETAILS / APPLICATIONS

