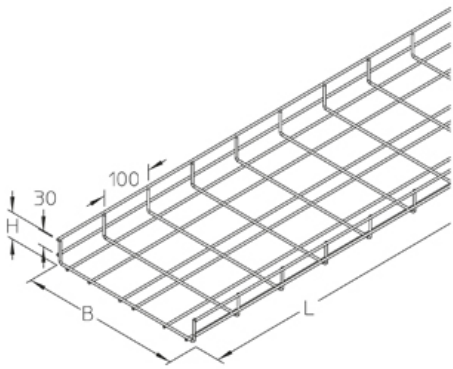


G 50

mesh cable tray, U-shape, height = 53 mm

Mesh cable tray, U-shape, certified including electrical conductivity according to DIN EN 61537/VDE 0639.



galvanized, according to ISO 4042

Артикул	Product	height	width	length	t	A	QSK	weight	material and surface
G 50-06GV	53 mm	76 mm	3000 mm	4.00 mm	25 cm ²	0.04 kN/m	2.26 kg	91449	
G 50-10GV	53 mm	116 mm	3000 mm	4.00 mm	45 cm ²	0.07 kN/m	2.38 kg	91449	
G 50-20GV	53 mm	216 mm	3000 mm	4.00 mm	90 cm ²	0.14 kN/m	3.28 kg		
G 50-30GV	53 mm	316 mm	3000 mm	4.00 mm	135 cm ²	0.20 kN/m	4.18 kg		
G 50-40GV	53 mm	418 mm	3000 mm	4.50 mm	176 cm ²	0.26 kN/m	6.42 kg		
G 50-50GV	53 mm	518 mm	3000 mm	4.50 mm	220 cm ²	0.33 kN/m	7.56 kg		
G 50-60GV	53 mm	618 mm	3000 mm	4.50 mm	264 cm ²	0.40 kN/m	8.70 kg		

Pre-galvanised (DIN EN 10244-2)

Артикул	Product	height	width	length	t	A	QSK	weight	material and surface
G 50-06S	53 mm	76 mm	3000 mm	4.00 mm	25 cm ²	0.04 kN/m	2.26 kg	91453	
G 50-10S	53 mm	116 mm	3000 mm	4.00 mm	45 cm ²	0.07 kN/m	2.38 kg		
G 50-20S	53 mm	216 mm	3000 mm	4.00 mm	90 cm ²	0.14 kN/m	3.28 kg		
G 50-30S	53 mm	316 mm	3000 mm	4.00 mm	135 cm ²	0.20 kN/m	4.18 kg		
G 50-40S	53 mm	418 mm	3000 mm	4.50 mm	176 cm ²	0.26 kN/m	6.42 kg		
G 50-50S	53 mm	518 mm	3000 mm	4.50 mm	220 cm ²	0.33 kN/m	7.56 kg		
G 50-60S	53 mm	618 mm	3000 mm	4.50 mm	264 cm ²	0.40 kN/m	8.70 kg		

Hot-dip galvanized, according to BS 729 (DIN EN ISO 1461)

Артикул	Product	height	width	length	t	A	QSK	weight	material and surface
G 50-06F	53 mm	76 mm	3000 mm	4.00 mm	25 cm ²	0.04 kN/m	2.41 kg		
G 50-10F	53 mm	116 mm	3000 mm	4.00 mm	45 cm ²	0.07 kN/m	2.55 kg		
G 50-20F	53 mm	216 mm	3000 mm	4.00 mm	90 cm ²	0.14 kN/m	3.51 kg		
G 50-30F	53 mm	316 mm	3000 mm	4.00 mm	135 cm ²	0.20 kN/m	4.48 kg		
G 50-40F	53 mm	418 mm	3000 mm	4.50 mm	176 cm ²	0.26 kN/m	6.87 kg		
G 50-50F	53 mm	518 mm	3000 mm	4.50 mm	220 cm ²	0.33 kN/m	8.09 kg		
G 50-60F	53 mm	618 mm	3000 mm	4.50 mm	264 cm ²	0.40 kN/m	9.31 kg		

Stainless steel, according to ASTM 304 / BS 304 S 3

Артикул	Product	height	width	length	t	A	QSK	weight	material and surface
G 50-06E	53 mm	76 mm	3000 mm	4.00 mm	25 cm ²	0.04 kN/m	2.26 kg		
G 50-10E	53 mm	116 mm	3000 mm	4.00 mm	45 cm ²	0.07 kN/m	2.38 kg		
G 50-20E	53 mm	216 mm	3000 mm	4.00 mm	90 cm ²	0.14 kN/m	3.28 kg		
G 50-30E	53 mm	316 mm	3000 mm	4.00 mm	135 cm ²	0.20 kN/m	4.18 kg		
G 50-40E	53 mm	418 mm	3000 mm	4.50 mm	176 cm ²	0.26 kN/m	6.47 kg		
G 50-50E	53 mm	518 mm	3000 mm	4.50 mm	220 cm ²	0.33 kN/m	7.62 kg		
G 50-60E	53 mm	618 mm	3000 mm	4.50 mm	264 cm ²	0.40 kN/m	8.77 kg		

Stainless steel, according to ASTM 31 Ti / AISI 316 L, BS 320S17 / BS 316S11

Артикул	Product	height	width	length	t	A	QSK	weight	material and surface
G 50-06E4	53 mm	76 mm	3000 mm	4.00 mm	25 cm ²	0.04 kN/m	2.30 kg		
G 50-10E4	53 mm	116 mm	3000 mm	4.00 mm	45 cm ²	0.07 kN/m	2.43 kg		
G 50-20E4	53 mm	216 mm	3000 mm	4.00 mm	90 cm ²	0.14 kN/m	3.35 kg		
G 50-30E4	53 mm	316 mm	3000 mm	4.00 mm	135 cm ²	0.20 kN/m	4.27 kg		
G 50-40E4	53 mm	418 mm	3000 mm	4.50 mm	176 cm ²	0.26 kN/m	6.53 kg		
G 50-50E4	53 mm	518 mm	3000 mm	4.50 mm	220 cm ²	0.33 kN/m	7.68 kg		
G 50-60E4	53 mm	618 mm	3000 mm	4.50 mm	264 cm ²	0.40 kN/m	8.84 kg		

Product: Product

height: height

width: width

length: length

t: material thickness

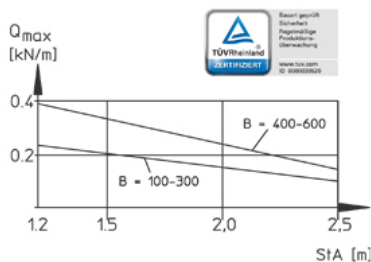
A: cross section area

QSK: distributed load control cable

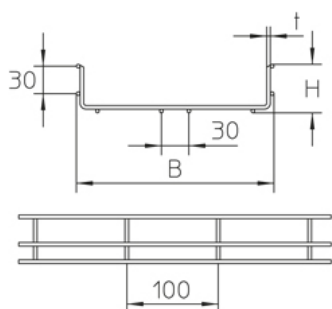
weight: weight

material and surface: material and surface

LOAD DIAGRAM



DETAILS / APPLICATIONS



ACCESSORIES

MP-G, GVR, GV 30, GVD 30, GV-L 30, GVU, GVK, GTR 50, GKAB, KLU,



Do not walk upon!



TÜV certified



certified according to Det Norske Veritas (DNV) and Germanischer Lloyd (GL)

