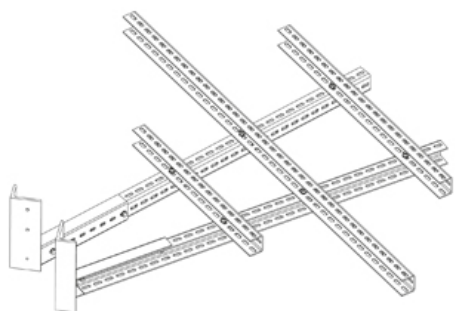


EBW

corner fixing



Hot-dip galvanized, according to BS 729 (DIN EN ISO 1461)

Артикул	Product	Pmax	weight	incl.
EBW 020F	6.50 kN	52.64 kg	show all inclusive accessoires	
EBW 030F	6.50 kN	55.31 kg	show all inclusive accessoires	
EBW 040F	6.50 kN	60.63 kg	show all inclusive accessoires	
EBW 050F	6.50 kN	60.64 kg	show all inclusive accessoires	
EBW 060F	6.50 kN	64.63 kg	show all inclusive accessoires	

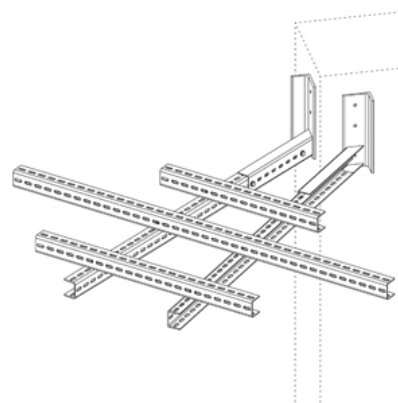
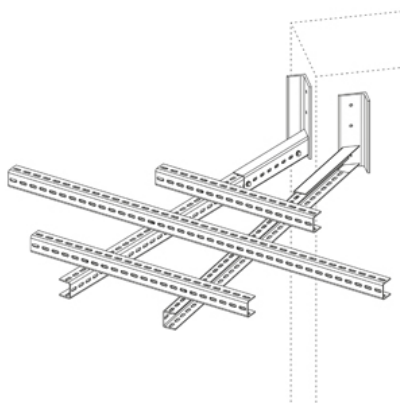
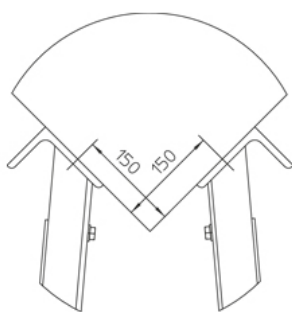
Product: Product

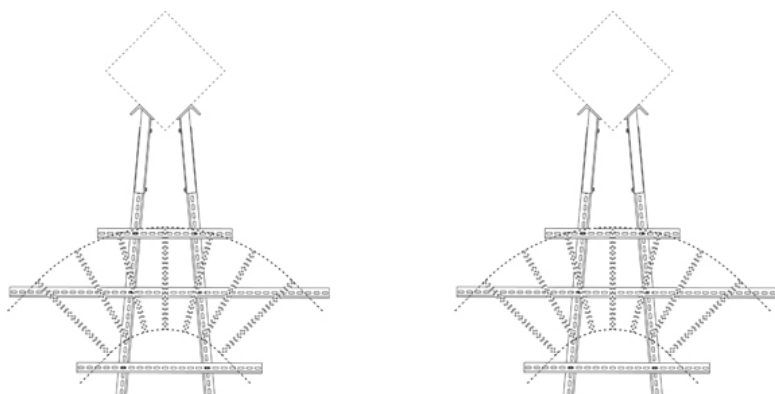
Pmax: Maximum load

weight: weight

incl.: incl.

DETAILS / APPLICATIONS





ACCESSORIES

WPEA 100, WPEA 120, WPEA 150, WPLEAB 100, WPLEAB 120, WPLEAB 150, WPLB 100, WPLB 120, WPLB 150, WPRB 120, WPRB 150, SD,

