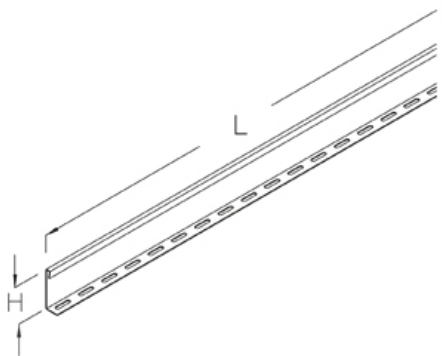


STR 110

vertical ladder separating strip, height = 50 mm



Continuously hot galvanized (Sendzimir process) (DIN EN 10346)

Артикул	Product	height	length	weight
STR 110S	50 mm	3000 mm	2.11 kg	

Hot-dip galvanized, according to BS 729 (DIN EN ISO 1461)

Артикул	Product	height	length	weight
STR 110F	50 mm	3000 mm	2.25 kg	

Stainless steel, according to ASTM 304 / BS 304 S 3

Артикул	Product	height	length	weight
STR 110E	50 mm	3000 mm	2.10 kg	

Product: Product

height: height

length: length

weight: weight

