

## BGU 60

screwed head plate, KHU 60

head plate for mounting of bracket support profile U 60 to ceiling



galvanized, according to ISO 4042

Артикул	Product	height	width	length	weight	incl.
BGU 60GV	120 mm	80 mm	200 mm	1.25 kg	show all inclusive accessoires	

Hot-dip galvanized, according to BS 729 (DIN EN ISO 1461)

Артикул	Product	height	width	length	weight	incl.
BGU 60F	120 mm	80 mm	200 mm	1.28 kg	show all inclusive accessoires	

Stainless steel, according to ASTM 304 / BS 304 S 3

Артикул	Product	height	width	length	weight	incl.
BGU 60E	120 mm	80 mm	200 mm	1.30 kg	show all inclusive accessoires	

Stainless steel, according to ASTM 31 Ti / AISI 316 L, BS 320S17 / BS 316S11

Артикул	Product	height	width	length	weight	incl.
BGU 60E4	120 mm	80 mm	200 mm	1.30 kg	show all inclusive accessoires	

**Product:** Product

**height:** height

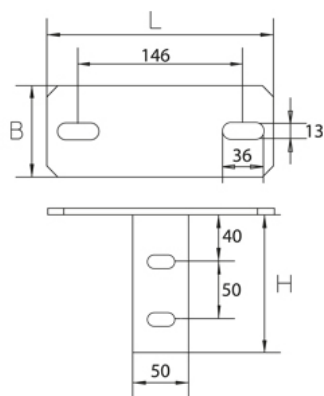
**width:** width

**length:** length

**weight:** weight

**incl.:** incl.

## DETAILS / APPLICATIONS



certified according to Det Norske Veritas (DNV) and Germanischer Lloyd (GL)

