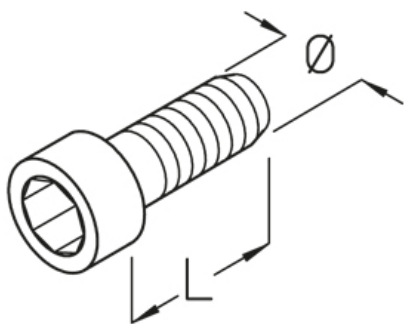


IK

hexagon socket head screw, DIN 912



galvanized, according to ISO 4042

Артикул	Product	length	diameter	diameter	IK	weight
IK 6X20	20 mm	10.20 mm	6 mm	5 mm	0.70 kg/100	
IK 8X20	20 mm	13.30 mm	8 mm	6 mm	1.30 kg/100	
IK 8X25	25 mm	13.30 mm	8 mm	6 mm	1.50 kg/100	
IK 8X30	30 mm	13.30 mm	8 mm	6 mm	1.70 kg/100	
IK 8X40	40 mm	13.30 mm	8 mm	6 mm	2.10 kg/100	
IK 10X20	20 mm	16.30 mm	10 mm	8 mm	2.30 kg/100	
IK 10X25	25 mm	16.30 mm	10 mm	8 mm	2.50 kg/100	
IK 10X30	30 mm	16.30 mm	10 mm	8 mm	2.80 kg/100	
IK 10X40	40 mm	16.30 mm	10 mm	8 mm	3.30 kg/100	
IK 12X20	20 mm	18.30 mm	12 mm	10 mm	3.20 kg/100	
IK 12X25	25 mm	18.30 mm	12 mm	10 mm	3.60 kg/100	
IK 12X30	30 mm	18.30 mm	12 mm	10 mm	3.90 kg/100	
IK 12X40	40 mm	18.30 mm	12 mm	10 mm	4.70 kg/100	
IK 12X50	50 mm	18.30 mm	12 mm	10 mm	5.50 kg/100	

Stainless steel, according to ASTM 304 / BS 304 S 3

Артикул	Product	length	diameter	diameter	IK	weight
IK 8X10E	10 mm	13.30 mm	8 mm	6 mm	1 kg/100	
IK 8X20E	20 mm	13.30 mm	8 mm	6 mm	1.30 kg/100	
IK 8X25E	25 mm	13.30 mm	8 mm	6 mm	1.30 kg/100	
IK 8X30E	30 mm	13.30 mm	8 mm	6 mm	1.70 kg/100	
IK 8X40E	40 mm	13.30 mm	8 mm	6 mm	2.10 kg/100	
IK 8X50E	50 mm	13.30 mm	8 mm	6 mm	2.50 kg/100	
IK 10X20E	20 mm	16.30 mm	10 mm	8 mm	2.30 kg/100	
IK 10X25E	25 mm	16.30 mm	10 mm	8 mm	2.50 kg/100	
IK 10X30E	30 mm	16.30 mm	10 mm	8 mm	2.80 kg/100	
IK 10X40E	40 mm	16.30 mm	10 mm	8 mm	3.30 kg/100	
IK 12X20E	20 mm	18.30 mm	12 mm	10 mm	3.20 kg/100	

Артикул	Product	length	diameter	diameter	IK	weight
IK 12X25E	25 mm	18.30 mm	12 mm	10 mm		3.60 kg/100
IK 12X30E	30 mm	18.30 mm	12 mm	10 mm		3.90 kg/100
IK 12X40E	40 mm	18.30 mm	12 mm	10 mm		4.70 kg/100
IK 12X50E	50 mm	18.30 mm	12 mm	10 mm		5.50 kg/100

Product: Product

length: length

diameter: diameter

diameter: diameter

IK: internal hexagon

weight: weight

DETAILS / APPLICATIONS

