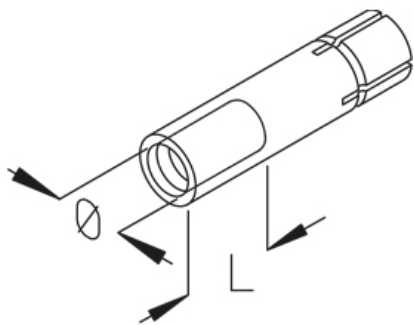


SAZ

anchor



Permissible as single fastening. Permissible load in cracked and non-cracked normal concrete of strength \geq C20/25. Manufacturer's information has to be observed strictly (ETA-06/0271).

galvanized, according to ISO 4042

Артикул	Product	length	Lmin	diameter	diameter	Pzul	PzulR30	PzulR90	weight
SAZ 6	8-13 mm	43 mm	12 mm	6 mm	2,4 kN	1,0 kN	0,4 kN	3.20 kg/100	
SAZ 8	11-17 mm	43 mm	10 mm	8 mm	1,6 kN	0,9 kN	0,7 kN	1.40 kg/100	
SAZ 10	13-19 mm	43 mm	12 mm	10 mm	3,0 kN	2,3 kN	1,1 kN	1.90 kg/100	
SAZ 12	15-21 mm	43 mm	14 mm	12 mm	3,6 kN	2,8 kN	1,4 kN	2.60 kg/100	

Stainless steel, according to ASTM 31 Ti / AISI 316 L, BS 320S17 / BS 316S11

Артикул	Product	length	Lmin	diameter	diameter	Pzul	PzulR30	PzulR90	weight
SAZ 8E4	11-17 mm	43 mm	10 mm	8 mm	1,6 kN	0,9 kN	0,7 kN	1.40 kg/100	
SAZ 10E4	13-19 mm	43 mm	12 mm	10 mm	3,0 kN	2,3 kN	1,1 kN	1.90 kg/100	
SAZ 12E4	15-21 mm	43 mm	14 mm	12 mm	3,6 kN	2,8 kN	1,4 kN	2.60 kg/100	

Product: Product

length: length

Lmin: Minimum drilling depth

diameter: diameter

diameter: diameter

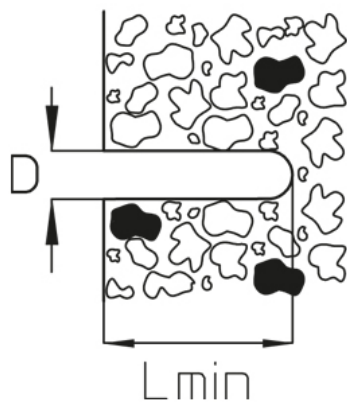
Pzul: permissible tractive force

PzulR30: permissible tensile load under the influence of fire (30min)

PzulR90: permissible tensile load under the influence of fire (90min)

weight: weight

DETAILS / APPLICATIONS



ACCESSORIES

SAZ-D, SAZ-B,

