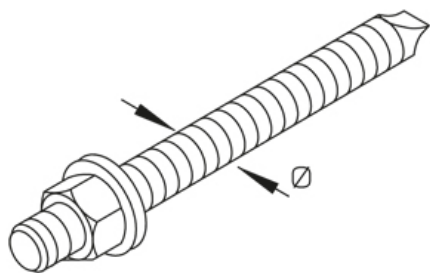


VAS-AS

shear connector rod, stone



load specifications are dependent on the ground. Manufacturer's information has to be observed strictly (ETA-10/0383).

galvanized, according to ISO 4042

Артикул	Product	Lmin	diameter	diameter	t	weight
VAS-AS 8/15	80 mm	10 mm	8 mm	0-15 mm	0.04 kg	
VAS-AS 10/25	80 mm	12 mm	10 mm	0-25 mm	0.07 kg	
VAS-AS 12/40	80 mm	14 mm	12 mm	0-40 mm	0.12 kg	

Stainless steel, according to ASTM 31 Ti / AISI 316 L, BS 320S17 / BS 316S11

Артикул	Product	Lmin	diameter	diameter	t	weight
VAS-AS 8/15E4	80 mm	10 mm	8 mm	0-15 mm	0.04 kg	
VAS-AS 10/25E4	80 mm	12 mm	10 mm	0-25 mm	0.07 kg	
VAS-AS 12/40E4	80 mm	14 mm	12 mm	0-40 mm	0.12 kg	

Product: Product

Lmin: Minimum drilling depth

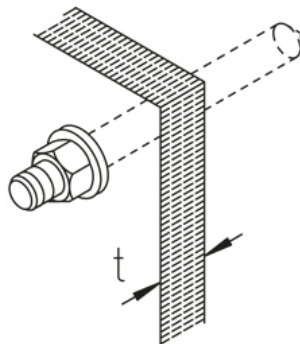
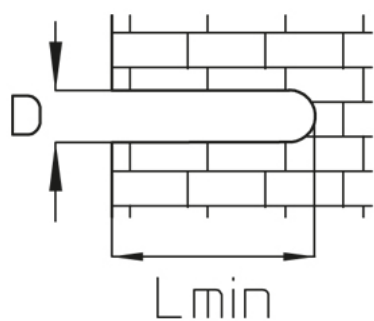
diameter: diameter

diameter: diameter

t: material thickness

weight: weight

DETAILS / APPLICATIONS



ACCESSORIES

VAS-BS, VAS-SH, VAS-M,

