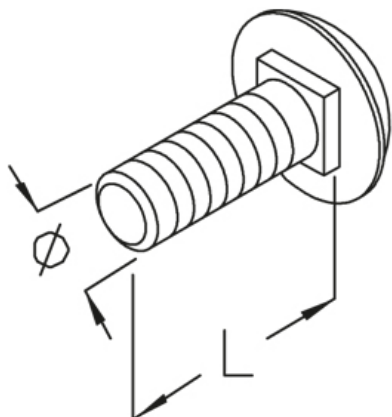


FRS

round-head screw with square, DIN 603



galvanized, according to ISO 4042

Артикул	Product	length	diameter	diameter	d	weight
FRS 6X25	25 mm	16 mm	6 mm	4 mm	0.70 kg/100	
FRS 8X20	20 mm	20 mm	8 mm	5 mm	1.40 kg/100	
FRS 8X25	25 mm	20 mm	8 mm	5 mm	1.50 kg/100	
FRS 8X35	35 mm	20 mm	8 mm	5 mm	1.90 kg/100	
FRS 8X50	50 mm	20 mm	8 mm	5 mm	2.20 kg/100	
FRS 10X30	30 mm	24 mm	10 mm	6 mm	2.80 kg/100	
FRS 12X30	30 mm	30 mm	12 mm	8 mm	4.60 kg/100	

Hot-dip galvanized, according to BS 729 (DIN EN ISO 1461)

Артикул	Product	length	diameter	diameter	d	weight
FRS 10X30F	30 mm	24 mm	10 mm	6 mm	4.90 kg/100	
FRS 12X30F	30 mm	30 mm	12 mm	8 mm	4.60 kg/100	

Stainless steel, according to ASTM 304 / BS 304 S 3

Артикул	Product	length	diameter	diameter	d	weight
FRS 6X16E	16 mm	16 mm	6 mm	4 mm	0.60 kg/100	
FRS 6X20E	20 mm	16 mm	6 mm	4 mm	0.60 kg/100	
FRS 6X25E	25 mm	16 mm	6 mm	4 mm	0.70 kg/100	
FRS 6X50E	50 mm	16 mm	6 mm	4 mm	1.40 kg/100	
FRS 8X20E	20 mm	20 mm	8 mm	5 mm	1.40 kg/100	
FRS 8X25E	25 mm	20 mm	8 mm	5 mm	1.50 kg/100	
FRS 8X35E	35 mm	20 mm	8 mm	5 mm	1.90 kg/100	
FRS 8X50E	50 mm	20 mm	8 mm	5 mm	2.20 kg/100	
FRS 10X30E	30 mm	24 mm	10 mm	6 mm	2.80 kg/100	
FRS 12X30E	30 mm	30 mm	12 mm	8 mm	5.10 kg/100	

Stainless steel, according to ASTM 31 Ti / AISI 316 L, BS 320S17 / BS 316S11

Артикул	Product	length	diameter	diameter	d	weight
FRS 6X20E4	20 mm	16 mm	6 mm	4 mm	0.80 kg/100	
FRS 8X25E4	25 mm	20 mm	8 mm	5 mm	1.40 kg/100	
FRS 8X50E4	50 mm	20 mm	8 mm	5 mm	2.30 kg/100	

Product: Product

length: length

diameter: diameter

diameter: diameter

d : thickness

weight: weight

DETAILS / APPLICATIONS

