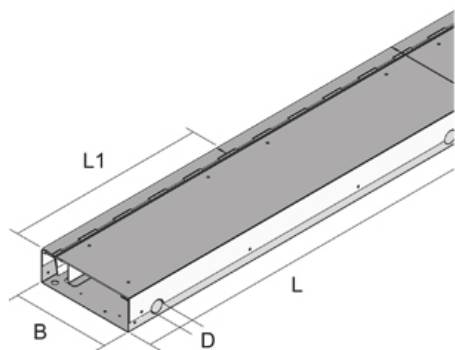


CHALI

screed-flush brush duct



Screed-flush brush duct with coverable brush and removable covers for horizontal cable installation. Consisting of pre-assembled height-adjustable lower and upper part. Designed for office traffic loads. Suitable for rooms with dry and damp-cleaned floor covers.

The levelling range can be adjusted by using levelling feet UBDSLFL (UBDSLFL: 92 - 160 mm; UBDSLFL 150: 158 - 230 mm; UBDSLFL 228 - 300 mm). The use of the UGM-SLF impact sound sleeve increases the levelling range by 3 mm. Please note the technical information.



Continuously hot galvanized (Sendzimir process) (DIN EN 10346)

Артикул	Product	height	width	length	length	diameter	E	depth	Pmax	IPn
CHALI 85-25S	85 mm	255 mm	2000 mm	500 mm	32 mm	265 mm	25 mm	5 kN	IP 30	IP 20

Product: Product

height: height

width: width

length: length

length: length

diameter: diameter

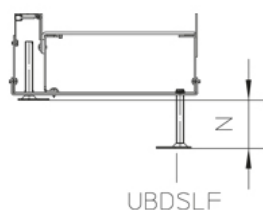
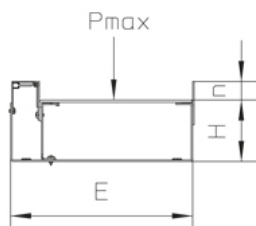
E: fitting dimension

depth: depth

Pmax: Maximum load

IPn: IP protection level in unused condition

DETAILS / APPLICATIONS



dry-cleaned

